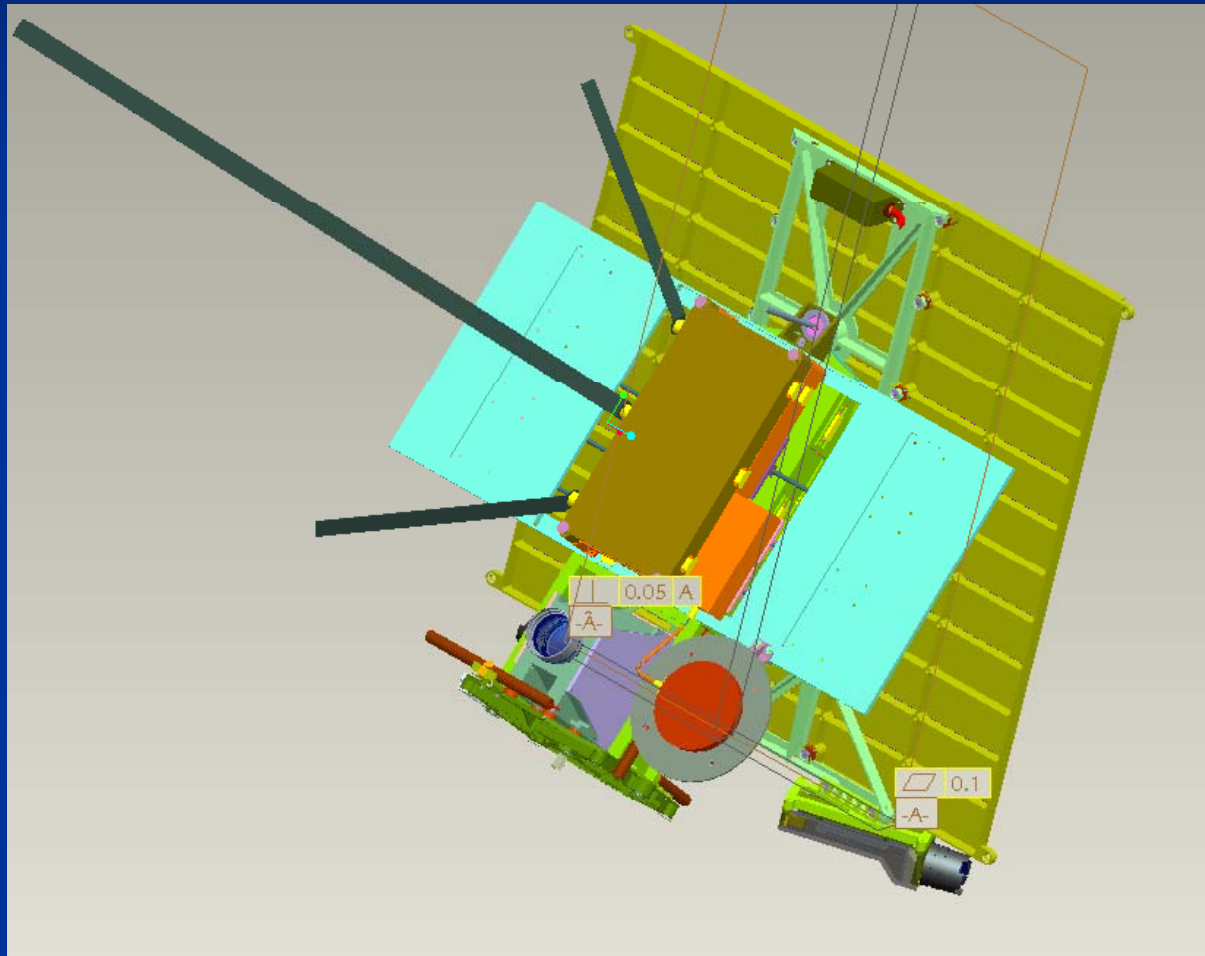


# Nanosatellite for scientific research

# Main way for design process

- It is only platform for scientific devices
- Maximization of information channel
- Maximization of power system
- Minimization of money

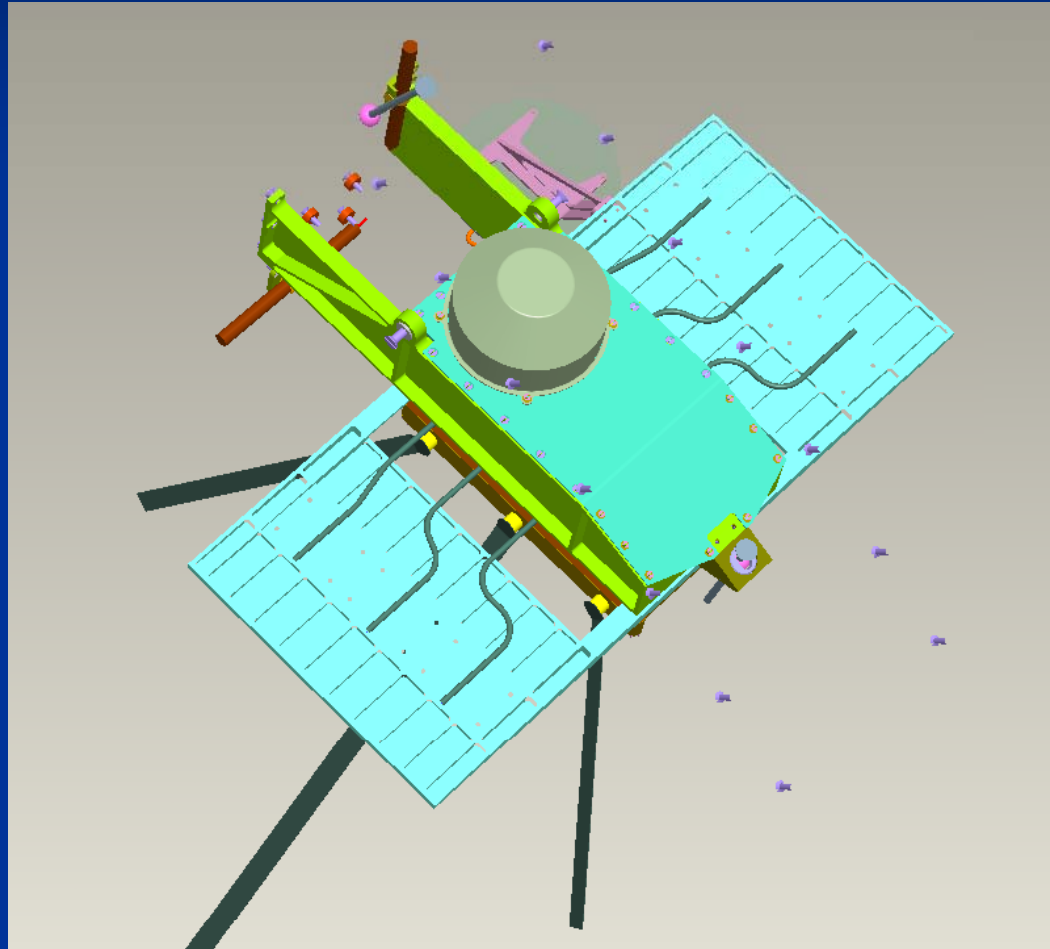
# Main view of satellite



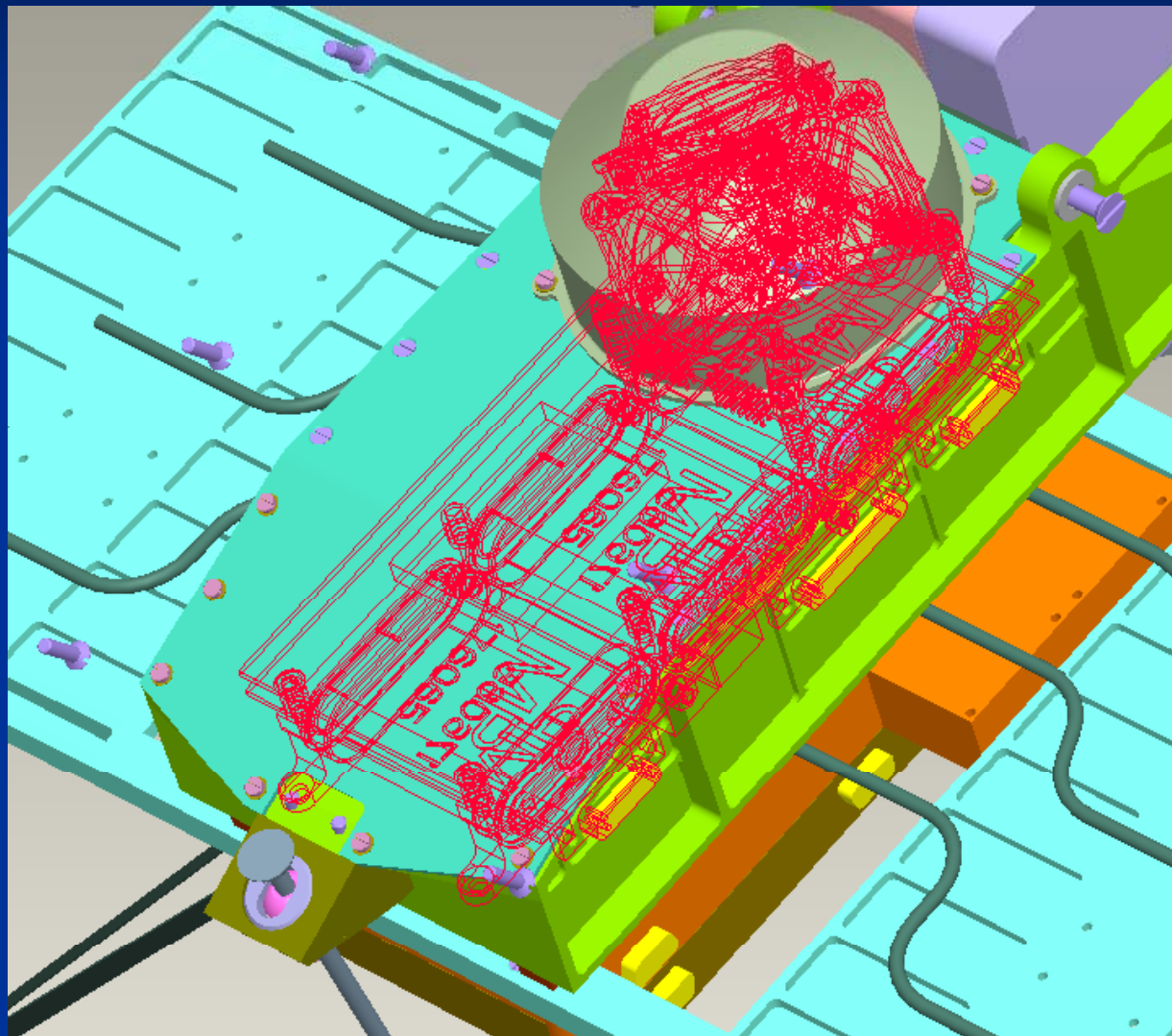
# Technical characteristics

- Mass of spacecraft 10...20 kg
- Mass of board platform 6...9 kg
- Average scientific power resources up to 40 W
- Maximum scientific power resources up to 80 W
- Onboard voltage 11...14 V.
- Batteries capacity 6.8 Ah
- Orientation Three axis
- Radio channel 8192 MHz, 32Mbit/s
- Mass of scientific devices 4...11 kg
- Price of platform (including launch) 300-800 thousands euro.
- Time of design and producing 8 month
  
- Additions
  - GPS receiver
  - Resistorjet system
  - Rotations in inertial basis

# Служебные системы



# Компоновка электроники



# Бортовой комплекс управления

