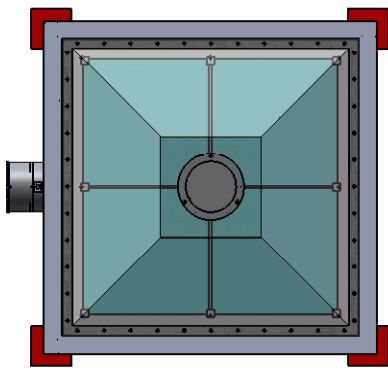
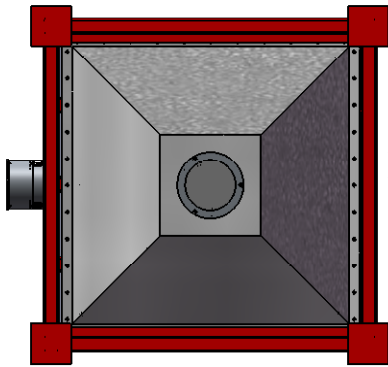


A



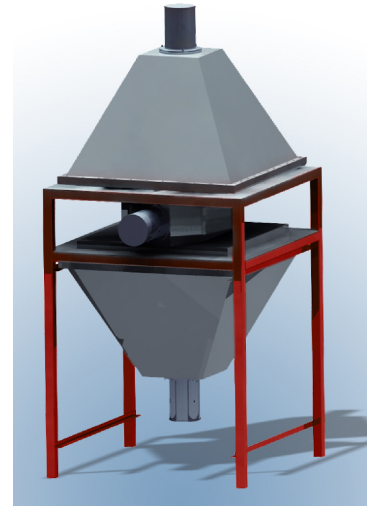
Top view

B

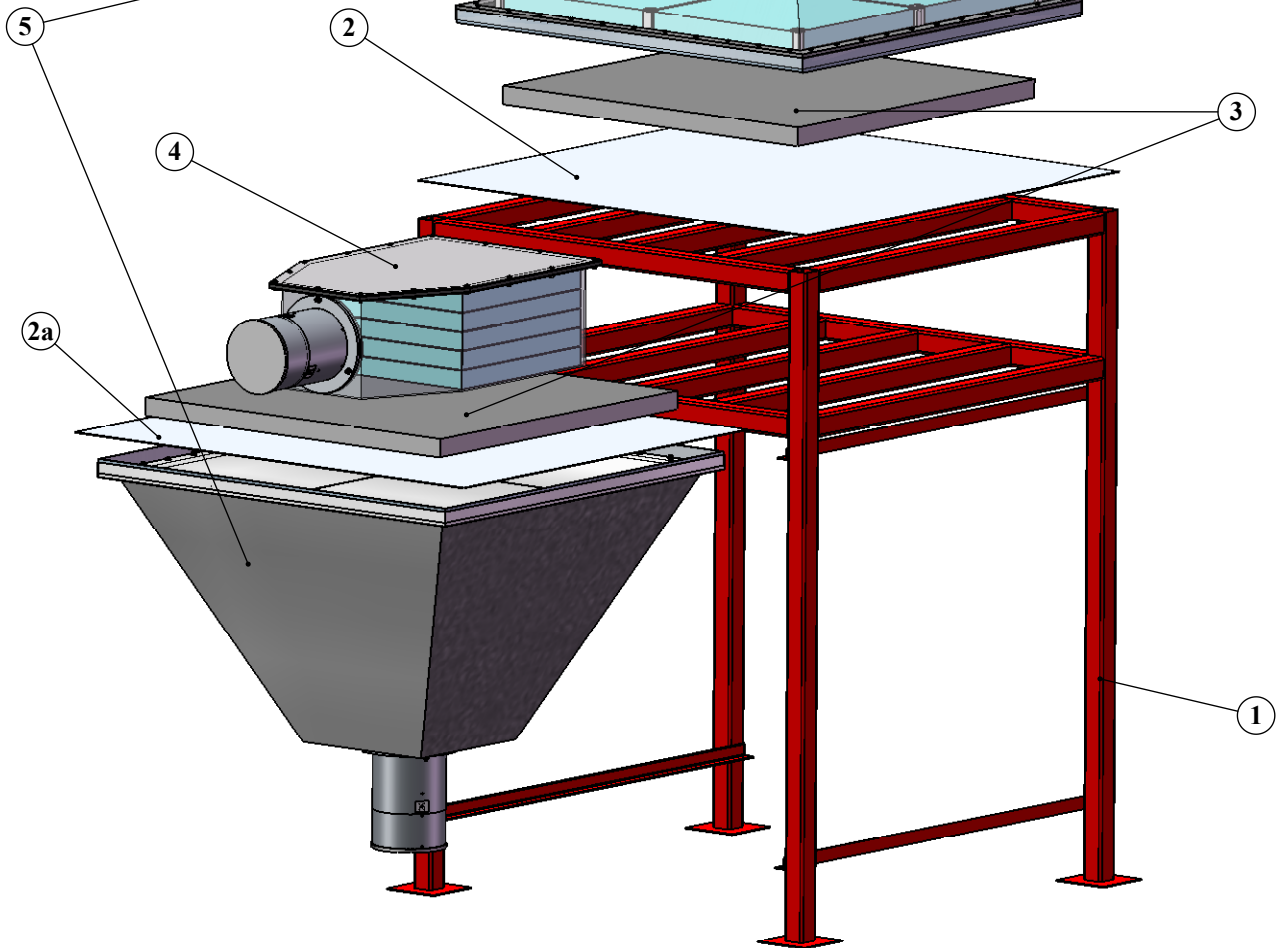


Bottom view

The internal part of the detectors should be covered with material providing light diffuse reflection.



C



D

E

NO.	NAME	10
1	SEVAN Metal stand	11
2	Metal sheet	12
3	Lead	13
4	25cm scintillator detector	14
5	5cm scintillator detector	15
6		
7		
8		
9		

MATERIAL:

DIMENSIONS ARE IN MILLIMETERS

TITLE:

SEVAN HOUSING

DWG NO.

SCALE:

SHEET 1 OF 1

A4

